

Mounting instructions - Elevation Adjustable Mount MNT-60A rev.2

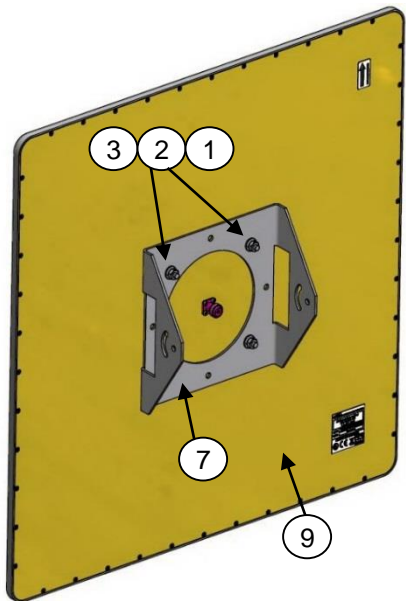


Fig. 1

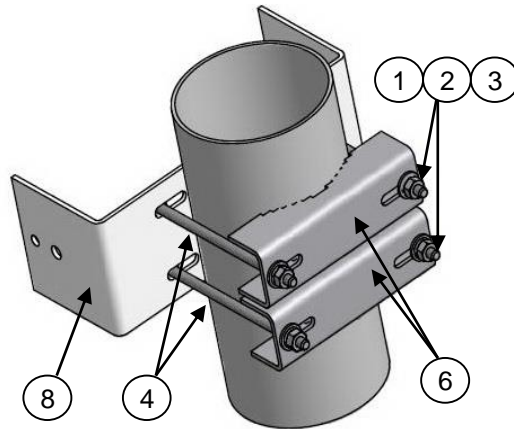


Fig. 2

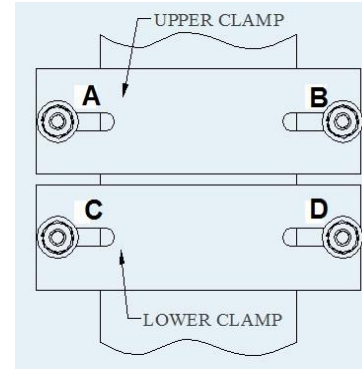


Fig. 2a

ITEM	DESCRIPTION	QTY
1	NUT NC 1/4-20	10
2	Helical Spring Lock Washer #1/4	12
3	Plain Washer #1/4	14
4	Hex Cap Screw NC 1/4-20 x 110	4
5	Hex Cap Screw NC 1/4-20 x 3/4	4
6	CLAMP	2
7	PLATE	1
8	BASE	1
9	Antenna	1

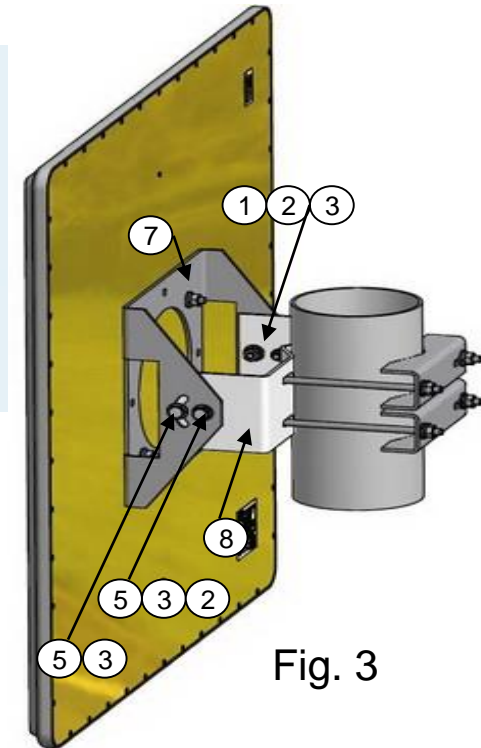


Fig. 3

Step 1

1.1 Align holes of Plate item 7 with studs of Antenna item 9. Put Plate onto Antenna (Fig. 1)

1.2 Put on each of the 4 Antenna's studs Plain Washer item 3, Spring Washer item 2 and screw them with Nut item 1. Tighten the 4 Nuts at a torque of 50 lb*in.

Step 2

2.1 Place 2 Clamps item 6 & Base item 8 touch to the Pole (Fig. 2).
2.2 Insert 4 Screws item 4 into the slots of Base item 8 and through the slots of Clamps item 6. Put on each Screw's end protruding from Clamps Plain Washer item 3, Spring Washer item 2 & screw them with Nut item 1.

Tighten 4 nuts item 1 symmetrically by order: A, B, C, D to fix items 6, 8 with possibility to rotate them around pole (Fig. 2a).

Be sure that items 6, 8 are parallel to each other & perpendicular to the pole.

Step 3

3.1 Adjust 2 slots & 2 holes of Plate item 7 to the 4 holes of Base item 8 (Fig. 3).

3.2 Insert Screw item 5 with Plain Washer item 3 & Spring Washer item 2 into each hole at the arms' end of Plate item 7 and through Base item 8. Screw until contact

3.3 Insert Screw item 5 with Plain Washer item 3 into the arc slot of Plate item 7 and through Base item 8. Put on Screw's end protruding from Base's arm Plain Washer item 3, Spring Washer item 2 & screw them with Nut item 1. Make the same for the second arc slot. Tighten the 2 Nuts item 1 until contact.

3.4 Adjust antenna tilt at an angle you need using 4 Screws item 5 and tighten it at a torque of 78 lb*in.

3.5 Adjust antenna's azimuth using 4 nuts item 1. Tighten nuts symmetrically as described in p.2.2 with final torque of each nut 78 lb x inch.

3.6. Change adjustment of azimuth:

- Symmetrically relax nuts item 1 as described in p.2.2 so antenna is still fixed to pole;
- Adjust azimuth by rotating of antenna around pole;
- Tighten antenna as described in p.3.5.